



Cat[®] TH357D

AG HANDLER TELEHANDLER

FEATURES:

- **Engine Options** – Choose the right engine for you – two fuel efficient Cat[®] engines are available to suit a wide range of applications.
- **Frame, Boom and Linkage** – Designed for durability. Easy to access greasing points mean a long, trouble free life for the machine. A Z-bar linkage delivers powerful breakout forces and fast cycle times.
- **Powerful Hydraulics** – A variable displacement piston pump matched to a high performance flow sharing valve makes multi functioning easy. The load sensing system means excellent fuel economy, as the pump only works when required.
- **Cab** – The cab is designed with the operator in mind with a multi function joystick and a comfortable working environment. The unique “Operator Preferences” feature allows the machine to be tuned to suit individual operators. Options include a heated air suspension seat, large display screen with pre-loaded load charts, rearview camera, reversing sensors and air conditioning.

Specifications

Engine

	Standard	Option 1
Model*	Cat C4.4 ACERT™	Cat C4.4 ACERT
Gross power	74.5 kW (100 hp/bhp)	96.5 kW (129 hp/bhp)
Max torque	410 N·m	514 N·m

*Emits Equivalent to EU Stage IIIA.

Weights

Operating Weight with Carriage and Forks* 9006 kg

*Represents machine configuration of 74.5 kW (100 hp/bhp) engine on standard 15.5/80-24 16 ply tires.

Operating Specifications

Rated Load Capacity	3500 kg
Maximum Lift Height	7.0 m
Capacity at Maximum Lift Height	2200 kg
Maximum Forward Reach	3.65 m
Capacity at Maximum Forward Reach	1300 kg
Outside Turning Radius over Tires	3.85 m
Outside Turning Radius over Forks	3.95 m

Service Refill Capacities

Fuel Tank	148 L
Hydraulic Tank	120 L

Brakes

Service Brakes	Boost assisted oil immersed multi disc on both axles
Parking Brake	Mechanically actuated on front axle service brakes

Transmission*

Type	6 speed power shift
Forward	
1	5.8 km/h
2	8.6 km/h
3	11.3 km/h
4	16.7 km/h
5	25.4 km/h
6	40.0 km/h
Reverse	
1	5.8 km/h
2	11.3 km/h
3	25.4 km/h

*Travel speed is subject to machine configuration.

Electrical

Battery	1 × 12V 1,000 CCA Battery
Alternator Output	12V/150A



TH357D Ag Handler Telehandler

Hydraulic System

System Type	Load Sensing, Closed Center
Pump Type	Variable Flow, Axial Piston
Maximum Pump Capacity	140 L/min
System Pressure	260 bar
Auxiliary Hydraulic Pressure	245 bar
Auxiliary Hydraulic Flow	
Boom Head – Intermittent	95 L/min
Boom Head – Continuous	95 L/min
Machine Rear	80 L/min

Boom Performance

Boom Up	6.5 sec
Boom Down	5.8 sec
Tele Out	5.5 sec
Tele In	5.5 sec
Crowd Forward (Dump)	3 sec
Crowd Backward	3 sec
Combined	
Up and Out	10.2 sec
Down and In	8.2 sec

Axles

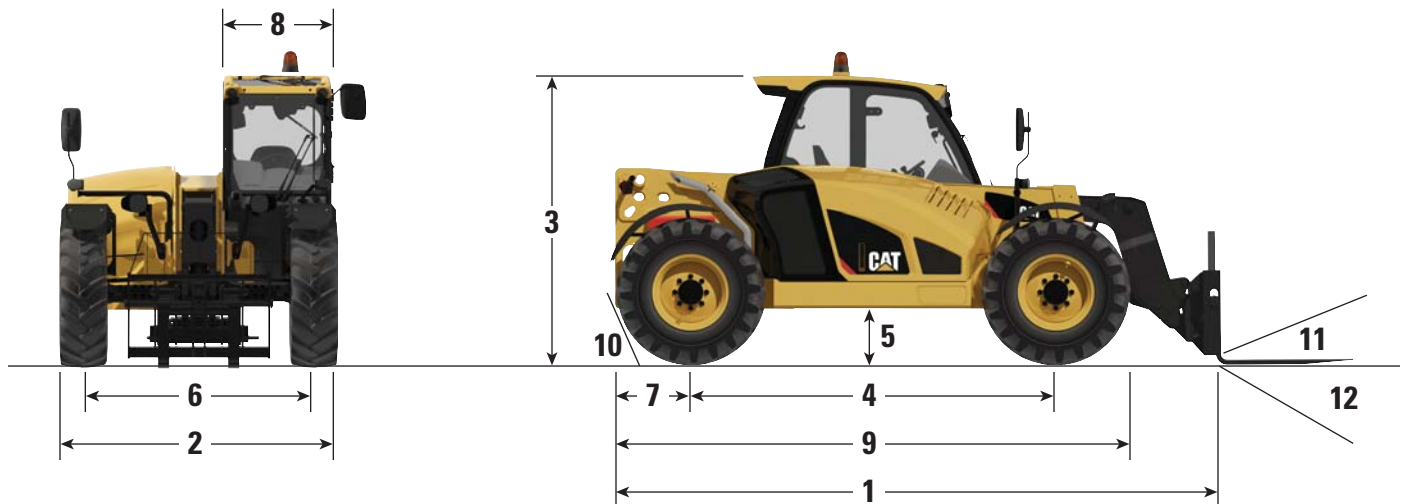
Front Axle	High bias, planetary reduction hubs with limited slip differential
Rear Axle	Open differential with planetary reduction hubs

Tires

Standard	Mitas 15.5/80-24 16 ply
Options	Michelin 15.5 R25 XHA
	Michelin 460/70 R24 XMCL
	Michelin 500/70 R24 XMCL
	Michelin 440/80 24 Power CL
	Michelin 400/80 24 Power CL
	Michelin 460/70 R24 Bibload
	Firestone Duraforce
	13 × 24 Solid Tires

Performance

Drawbar Pull	
83 kW/111 hp Engine	92 kN
92.6 kW/124 hp Engine	88 kN
Boom Breakout Force	50 kN
Bucket Breakout Force	72 kN
Quick Coupler Rotation	152°
Noise Levels	
In Cab	74 dB(A)
External	106 dB(A)
Towable Mass	
Hydraulically Braked	12 000 kg

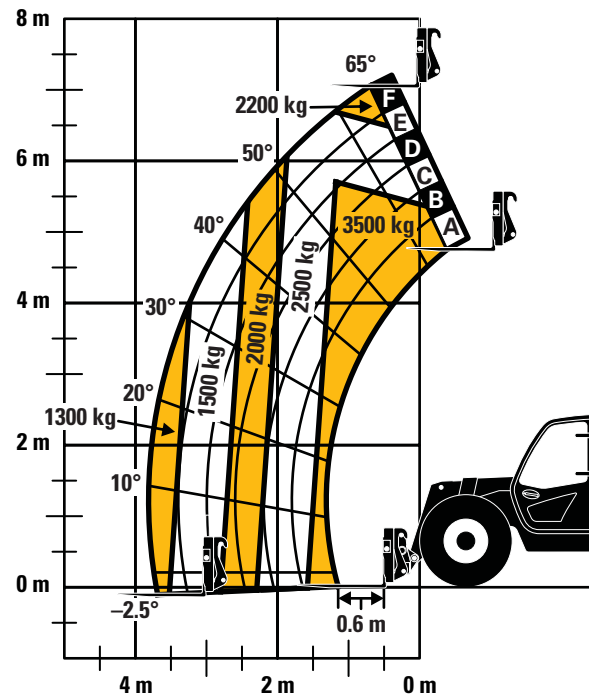


Dimensions (All dimensions are approximate.)

1 Overall Length to Front of Carriage	5000 mm	7 Overhang	1000 mm
2 Overall Width (standard tires)	2382 mm	8 Cab Width	900 mm
3 Overall Height (standard tires)*	2475 mm	9 Machine Length	5000 mm
4 Wheelbase	3165 mm	10 Departure Angle	60°
5 Ground Clearance	430 mm	11 Maximum Fork Crowd Angle	24°
6 Track	1988 mm	12 Maximum Fork Dump Angle	128°

*Add 200 mm for beacon.
Add 40 mm for top guard.

Load Chart and Dimensions



IMPORTANT

Rated lift capacities shown are with machine equipped with carriage and pallet forks. The machine must be level on a firm surface with undamaged, properly inflated tires. Machine specifications and stability are based on rated lift capacities at specific boom angles and boom lengths. (If specifications are critical, the proposed application should be discussed with your dealer.)

DO NOT exceed rated lift capacity loads, as unstable and dangerous machine conditions will result.

DO NOT tip the machine forward to determine the allowable load.

Use only approved attachments with proper material handler model/attachment load capacity charts displayed in the operator's cab.

Due to continuous product improvements, machine specifications and/or equipment changes may be made without prior notification.

TH357D Ag Handler Telehandler

Standard and Optional Equipment (Standard and Optional equipment may vary. Consult your Cat dealer for details.)

	Standard	Optional		Standard	Optional
Cab ROPS and FOPS			Tires		
Load Moment Indicator System	✓	—	Mitas 15.5/80-24 16 ply	✓	—
Longitudinal Stability Indicator	✓	—	Michelin 460/70 R24 XMCL	—	✓
Reversing Camera	—	✓	Michelin 500/70 R24 XMCL	—	✓
Reversing Sensors	—	✓	Michelin 400/80 24 Power CL	—	✓
Large Electronic Display Screen	—	✓	Michelin 440/80 24 Power CL	—	✓
Sunscreen	✓	—	Michelin 460/70 R24 Bibload	—	✓
Mechanical Suspension Seat with Seat Belt	✓	—	Michelin 15.5 R25 XHA	—	✓
Air Suspension Seat with Seat Belt	—	✓	Firestone Duraforce	—	✓
Heated Air Suspension Seat with Seat Belt	—	✓	13 × 24 Solid Tires	—	✓
Roof Wiper	✓	—	Tow Hitches		
Screen Guard	—	✓	Retrieval Hitch	—	✓
Roof Guard	—	✓	Hydraulic Pick Up Hitch	—	✓
Heater/De-mister	✓	—	EEC Manual Hitch	—	✓
Air Conditioning	—	✓	EEC Automatic Hitch	—	✓
Engine Speed Set	✓	—	EEC Automatic Hitch with Piton	—	✓
Multi Function Joystick Controller with FNR	✓	—	Trailer Braking Valve	—	✓
Column Mounted FNR Lever	—	✓	Quick Couplers		
Front and Rear Windscreen Wipers	✓	—	Manual Cat “IT” Interface	✓	—
Mechanical Parking Brake	✓	—	Hydraulic Cat “IT” Interface	—	✓
SAHR Parking Brake	—	✓	• Competitive couplers are available, please consult your Cat dealer for details.		
Electrical			Work Tools		
1 × 12V 1,000 CCA Battery	✓	—	Floating Fork Carriage	—	✓
2 × 12V 815 CCA Batteries	—	✓	ISO Class 3 Fixed Fork Carriage	—	✓
Block Heater 240 Volt	—	✓	Side Shift Carriage	—	✓
Work Lights, 4 × Cab Mounted (2 front, 2 rear) 2 × Boom Mounted	—	✓	1 m ³ General Purpose Bucket	—	✓
Product Link™ Ready, Version 641	—	✓	1.5 m ³ Rehandling Bucket	—	✓
Seven (7) Pin Trailer Service	—	✓	1.0 m ³ Multi Purpose Bucket	—	✓
Reverse Alarm	✓	—	2.0 m ³ Grain Bucket	—	✓
Rotating Beacon	—	✓	2.5 m ³ Grain Bucket	—	✓
Other Equipment			3.0 m ³ Grain Bucket	—	✓
Boom Brushes	✓	—	1225 mm Bale Fork	—	✓
Ride Control with Boom Float	—	✓	Grapple Bucket	—	✓
Single Auxiliary Service to Boom Head	✓	—	Muck Fork and Grapple	—	✓
2 nd Auxiliary Service to Boom Head	—	✓	Bale Handler	—	✓
Auxiliary Service to Rear	—	✓	Sweeper Collector	—	✓
Rear Hitch Mirror, Flat	—	✓			
Rear Hitch Mirror, Convex	—	✓			
Tool Box	—	✓			
Boom Safety Brace	—	✓			

For more complete information on Cat products, dealer services, and industry solutions, visit us on the web at www.cat.com

AEHQ8088 (09-2017)

© 2017 Caterpillar
All rights reserved

Materials and specifications are subject to change without notice. Featured machines in photos may include additional equipment. See your Cat dealer for available options.

CAT, CATERPILLAR, SAFETY.CAT.COM, their respective logos, “Caterpillar Yellow” and the “Power Edge” trade dress, as well as corporate and product identity used herein, are trademarks of Caterpillar and may not be used without permission.

