



Cat[®] Angle Brooms

WHEEL LOADERS
BACKHOE LOADERS

FEATURES:

Sweeping Versatility

- Angle Brooms are ideal for sweeping parking lots, industrial plants, millyards, airport runways, streets, driveways and lanes.
- Built for use on Wheel Loaders, Integrated Tool Carriers and Backhoe Loaders.

Quick Change Angling

- Cat Angle Brooms angle either hydraulically or manually—30° to either side—or can operate in a straight position.
- Using a windrowing action, Angle Brooms move loose debris ahead and to the side of the surface being swept.
- Hydraulic angling option allows operator to control broom angle from the cab. Manual angling brooms can be easily converted to hydraulic angling.

Durable, Reliable Design

- Motors are protected from dust and debris—yet easily accessible.
- Caterpillar XT™-3 ES hoses, couplings and o-ring face seals provide superior leak free performance and reliability. All hoses are wrapped with nylon woven Codura sleeving for added operator protection.
- Broom bearings are maintenance-free for long life.

Unique Suspension System

- A unique suspension system eliminates the need for support wheels. Brush maintains constant ground pressure through a range of vertical motion from the initial setting.
- Parking supports provide stable and secure parking of the broom.

Practical, Convenient Brush Elements

- Brush bristles are made with a combination of polypropylene and wire for durability and long brush life.
- When required, brush elements are quickly and easily replaced.

Options

- An optional water sprinkler kit is available for dust suppression.
- For certain situations, brushes can be replaced with 100% polypropylene bristles.

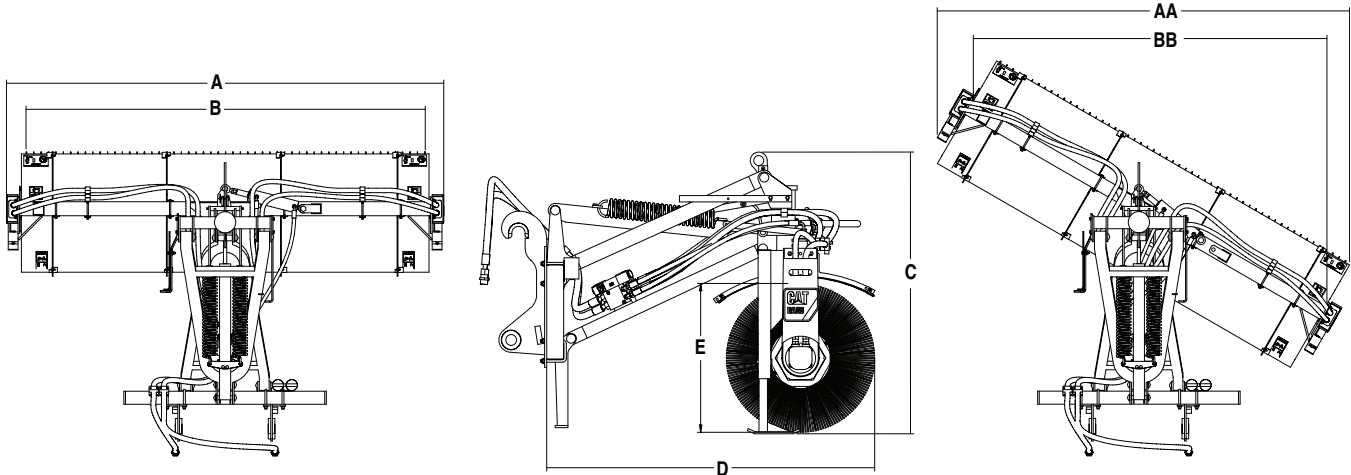
Angle Broom/Wheel Loader and Backhoe Loader Compatibility

Recommended machine matches. Contact your local Cat Dealer for more detailed matching information.

Model	Machines
BA22	902, 906, 908
BA25	924, 928, 930, IT14, IT28, 416, 420, 430, 446, 450
BA30	938, 950, 962, IT38, IT62

Cat Angle Brooms

Angle Broom Specifications



			BA22		BA25		BA30	
Weight (Hydraulic Angle)	kg	(lb)	386	(850)	460	(1014)	499	(1100)
Weight (Manual Angle)	kg	(lb)	N/A	N/A	428	(944)	467	(1030)
A Overall Width, straight	mm	(in)	2400	(94.5)	2700	(106.3)	3200	(126)
B Sweeping Width, straight	mm	(in)	2200	(86.6)	2500	(98.4)	3000	(118)
AA Overall Width, angled $\pm 30^\circ$	mm	(in)	2186	(86.1)	2434	(95.8)	2909	(114.5)
BB Sweeping Width, angled $\pm 30^\circ$	mm	(in)	1900	(74.8)	2165	(85.2)	2600	(102)
C Height	mm	(in)	1300	(51.2)	1300	(51.2)	1579	(62.2)
D Length	mm	(in)	2200	(86.6)	2300	(90.5)	2350.7	(92.5)
E Brush Diameter	mm	(in)	700	(27.5)	700	(27.5)	915	(36)
Water Capacity (optional)	L	(gal)	400	(100)	600*	(160*)	600	(160)
Optimal Working Speed	kph	(mph)	4–19	(2.5–12)	4–19	(2.5–12)	4–19	(2.5–12)

*Water Capacity on Backhoe Loader is 400 L (100 gal).

For more complete information on Cat products, dealer services, and industry solutions, visit us on the web at www.cat.com

GEHQ0183-01 (07-11)

©2011 Caterpillar
All Rights Reserved
Printed in U.S.A.

Replaces GEHQ0183

Materials and specifications are subject to change without notice. Featured machines in photos may include additional equipment. See your Cat dealer for available options.

CAT, CATERPILLAR, their respective logos, "Caterpillar Yellow," and the POWER EDGE trade dress, as well as corporate and product identity used herein, are trademarks of Caterpillar and may not be used without permission.

